

Watch video + fill out

Austen G (54)

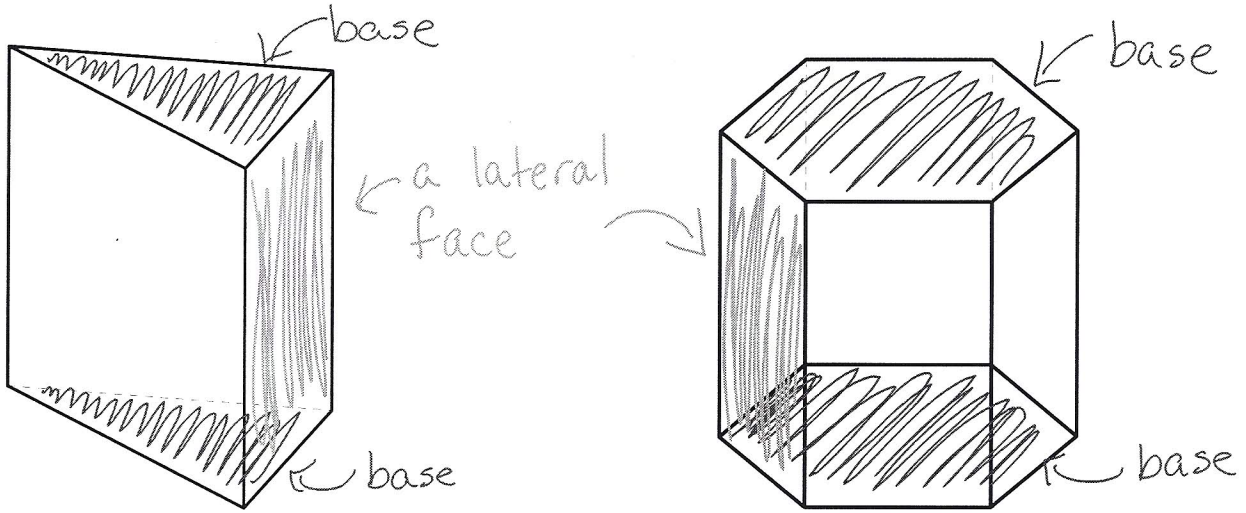
Surface Area and Volume for Prisms & Cylinders 3/4

Prisms

Every three-dimensional figure has two notable characteristics:

Bases –

Lateral Faces -

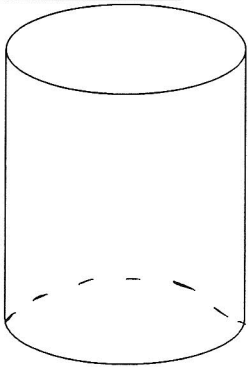


Lateral Area –

Total Surface Area –

Volume –

CYLINDER:



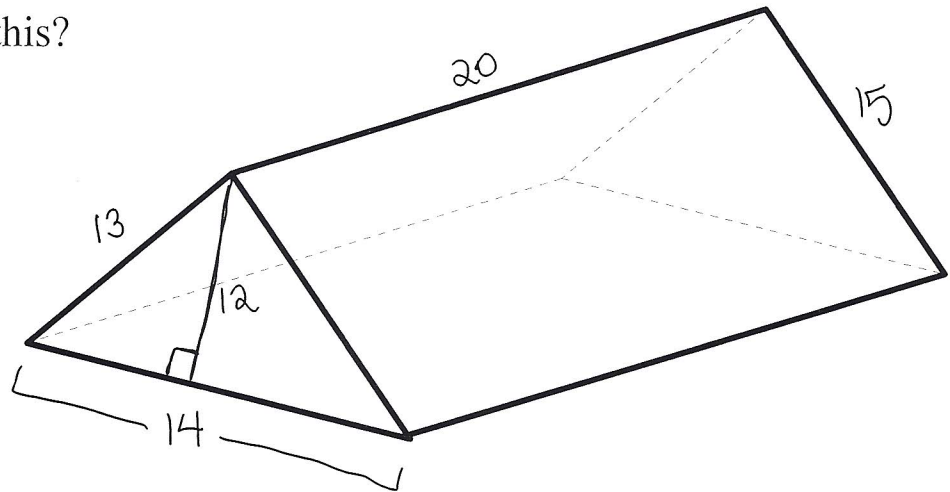
Lateral Area –

Total Surface Area –

Volume –

Prisms

What type of prism is this?

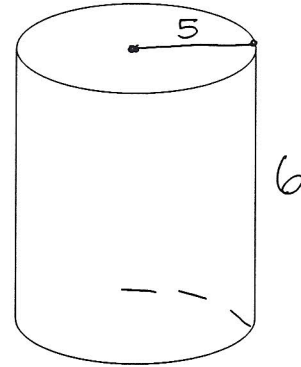


Find: The lateral area and total surface area

Find: The volume

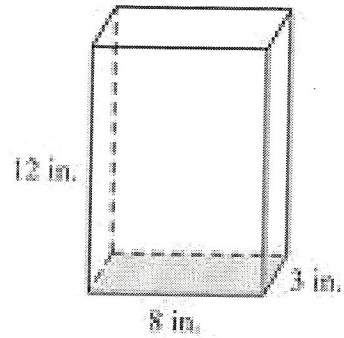
Cylinder

- Find: a) Lateral Area
b) Total Surface Area
c) Volume



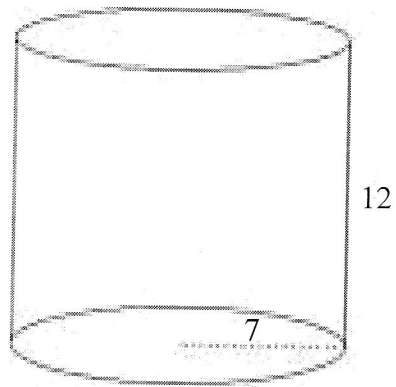
Practice Problems:

Find the total area & volume of this rectangular prism:

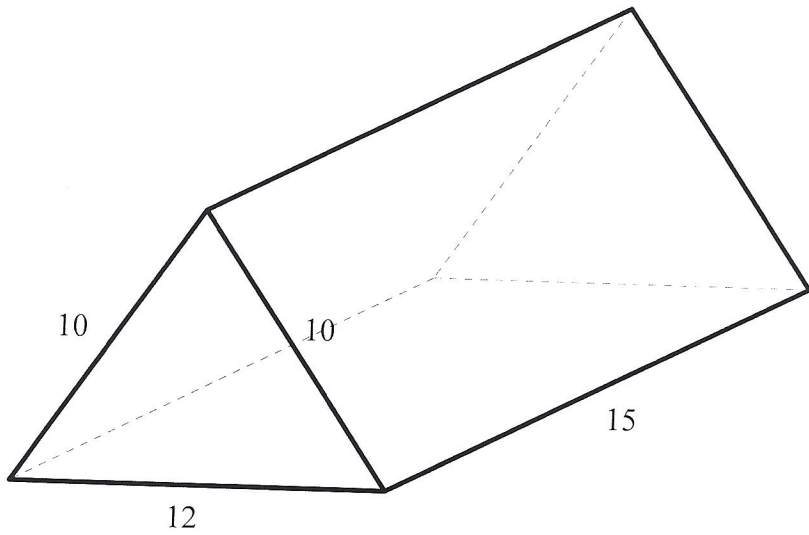


Cylinders

Find the area & volume of this cylinder:



Find the total area of this triangular prism:



Find the volume of this trapezoidal prism:

