

Watch video + fill out

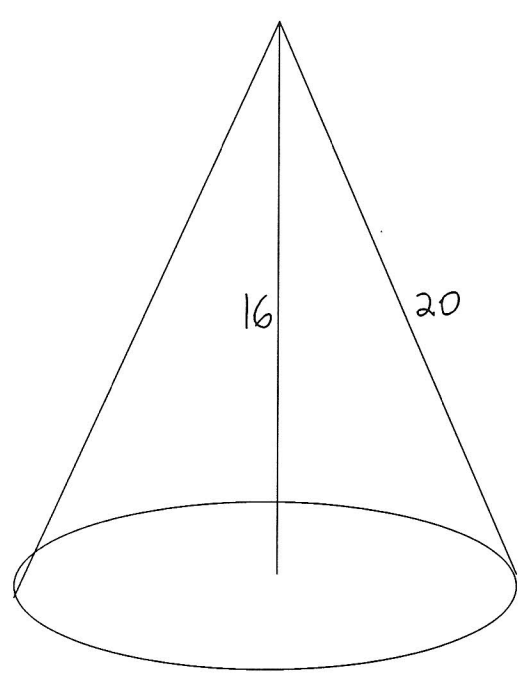
Surface area and volume of circular solids - Cones & Spheres

Cones

Lateral Area -

Total Surface Area -

Volume -



Find:

LA \_\_\_\_\_

SA \_\_\_\_\_

V \_\_\_\_\_

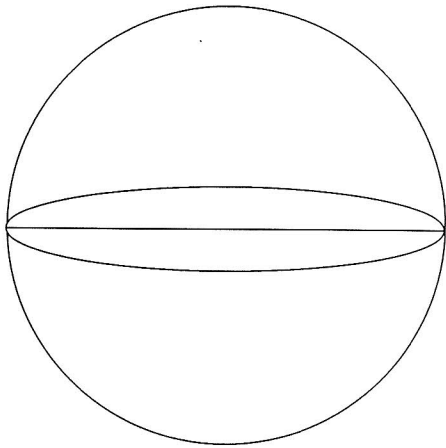
A sphere is a special figure, notice that a sphere has no lateral edges and no lateral area.

## Spheres

Total Surface Area -

Volume -

The sphere has a diameter of 18. Find the surface area and volume.

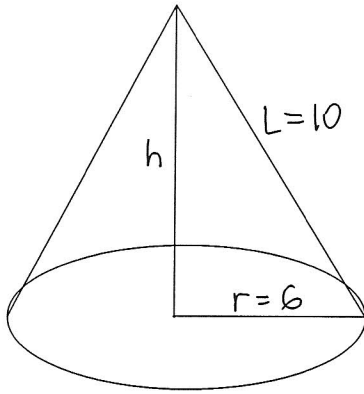


SA \_\_\_\_\_

V \_\_\_\_\_

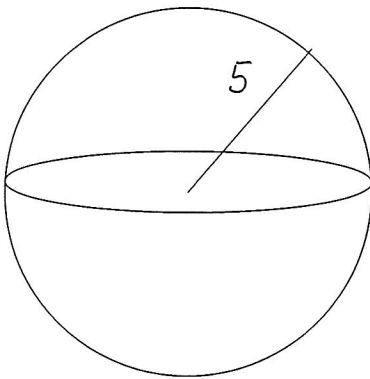
Try these practice problems:

1. Find the lateral area, total area, and volume:



LA \_\_\_\_\_ SA \_\_\_\_\_ V \_\_\_\_\_

2. Find the surface area and volume:



SA \_\_\_\_\_ V \_\_\_\_\_

3. Find the volume of a sphere whose surface area is  $144\pi \text{ cm}^2$ .

V \_\_\_\_\_