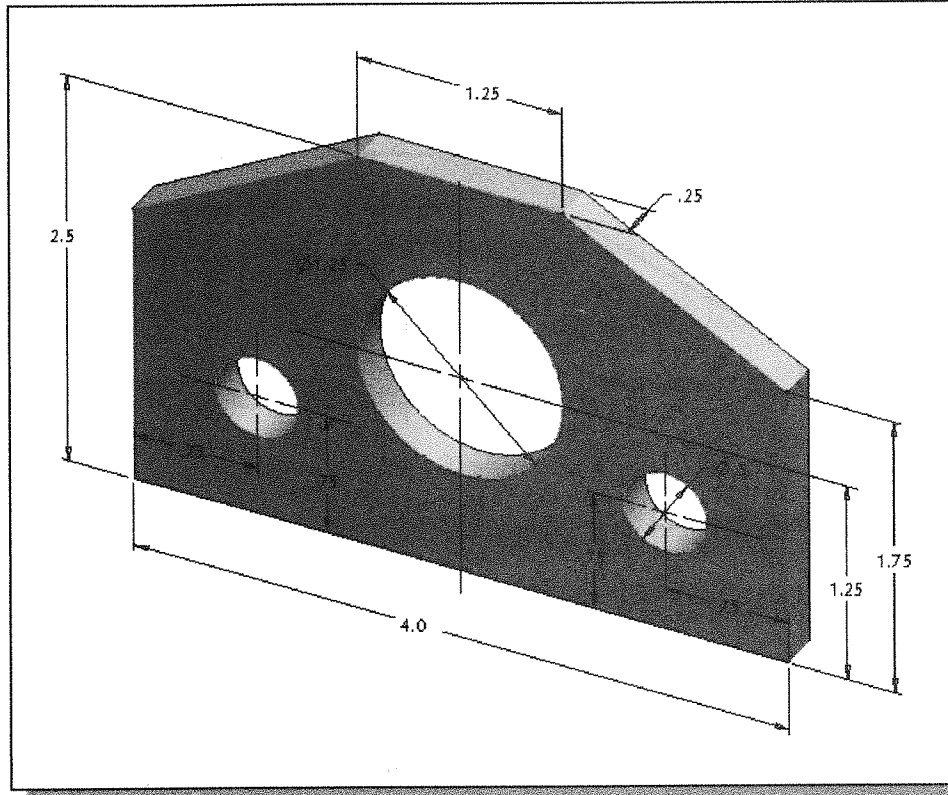


3. Positioning Stop



4. Latch Clip (Dimensions are in inches. thickness: 0.25 inches.)

