

Figure 5.136 Stop base

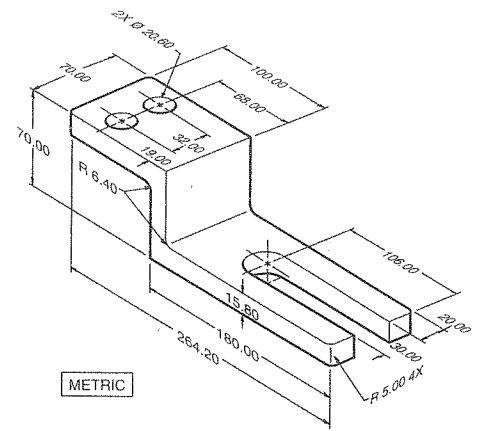


Figure 5.130 Motor plate

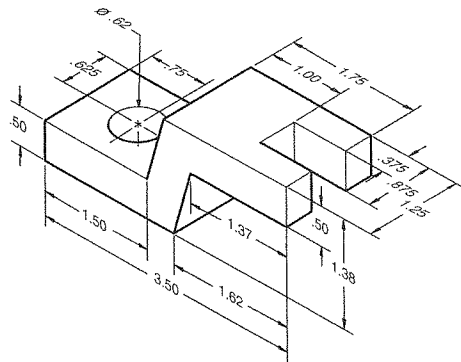


Figure 5.137 Tool holder

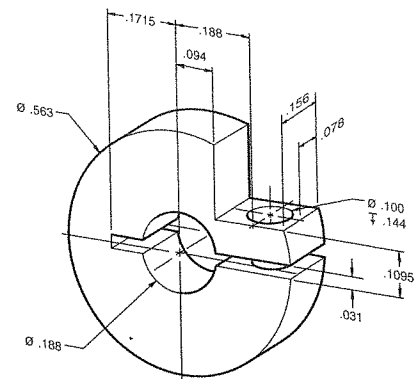


Figure 5.155 Drive collar

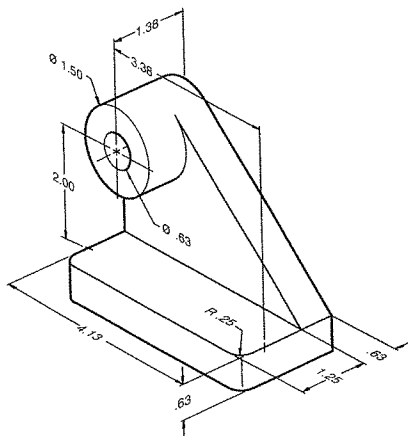


Figure 5.135 Shaft support

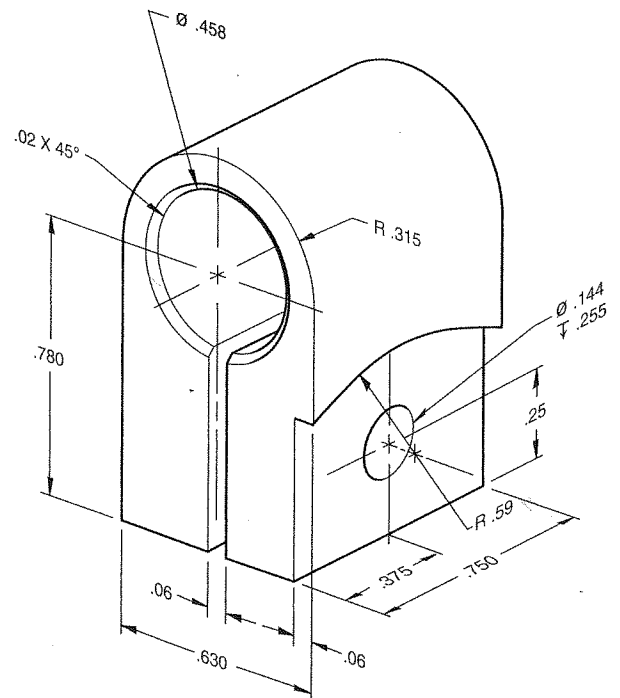


Figure 5.126 Coupling

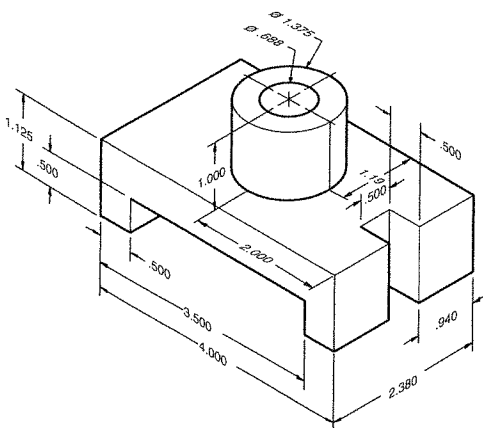


Figure 5.150 Retainer clip