

262

Francis Kanu



Dashboard > My courses > 2022\_01TERM\_C-MAT111\_LECT-OL\_Modern Math with Algebra > March 7 - March 13 > Final Exam

### Question 1

Answer saved

Points out of 1.00

**Find the slope of the line going through the pair of points.**

$(-6, -9), (1, -9)$

Select one:

- A. 1
- B. -3
- C. 0
- D. 3

### Question 2

Not yet answered

Points out of 1.00

**Find an equation of the line with the given slope and y-intercept.**

Slope = -8.9, y-intercept =  $(0, 2.02)$

Select one:

- A.  $y = 2.02x + 8.9$
- B.  $y = 8.9x + 2.02$
- C.  $y = 2.02x - 8.9$
- D.  $y = -8.9x + 2.02$

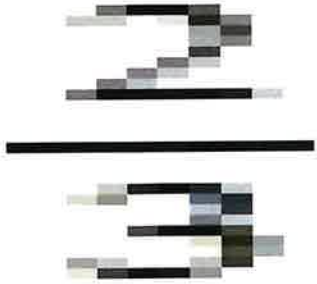
### Question 3

Not yet answered

Points out of 1.00

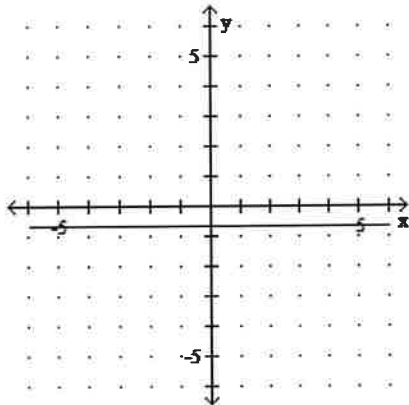
Graph.

$$x = \frac{2}{3}$$

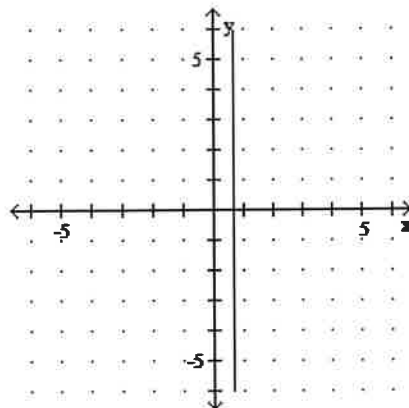


Select one:

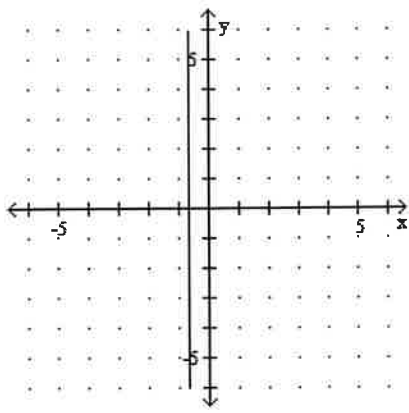
A.



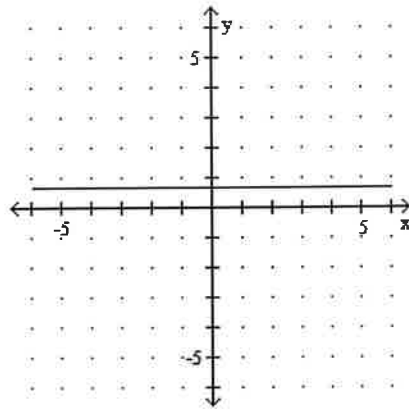
B.



C.



○ D.

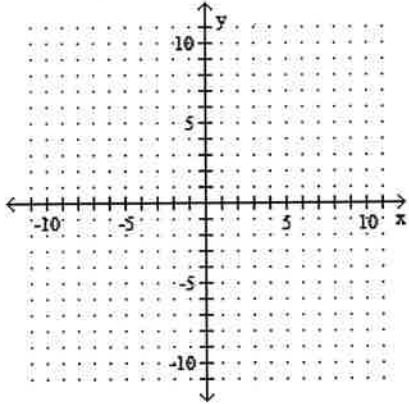


**Question 4**

Not yet answered Points out of 1.00

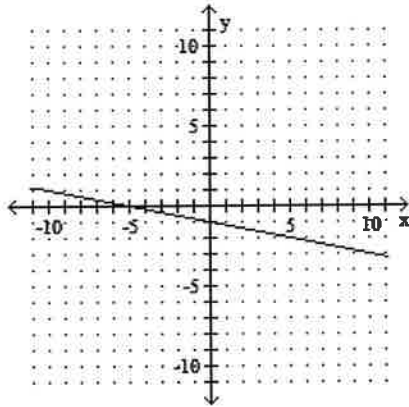
**Find the x- and y-intercepts for the equation. Then graph the equation.**

$$-5x - 25y = 25$$

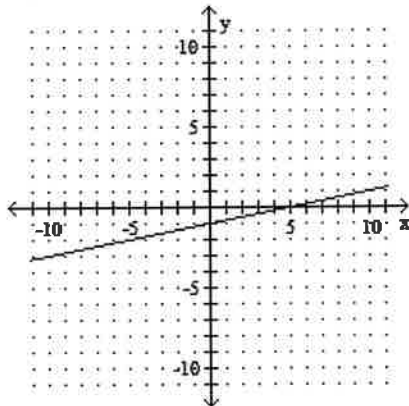


Select one:

- A. (0, -1), (-5, 0)



- B. (0, -1), (5, 0)



**Question 5**

Not yet answered

Points out of 1.00

Determine whether the given ordered pair is a solution of the equation.

$$3x + y = 10; (2, 4)$$

Select one:

- A. No
- B. Yes

**Question 6**

Not yet answered

Points out of 1.00

Solve the equation using the addition principle.

$$-25.4 = 25.0 + s$$

Select one:

- A. -0.4
- B. -50.4
- C. 50.4
- D. 0.4

**Question 7**

Not yet answered

Points out of 1.00

Solve.

$$4y + 24 = 8y$$

Select one:

- A. -6
- B. -2
- C. 2
- D. 6

**Question 8**

Not yet answered Points out of 1.00

**Solve using the multiplication principle.**

$$6a = -36$$

Select one:

- A. -6
- B. -42
- C. 42
- D. 1

**Question 9**

Not yet answered Points out of 1.00

**Solve.**

$$3(15x - 25) = 5(15x - 9)$$

Select one:

- A.  $\frac{1}{8}$
- B. -1
- C. -8
- D. 1

**Question 10**

Not yet answered Points out of 1.00

**Solve using the multiplication principle.**

$$40.9x = 736.2$$

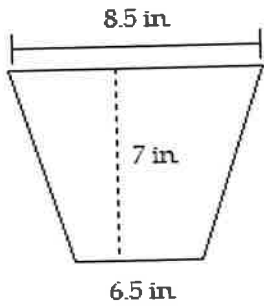
Select one:

- A. 18
- B. 718.2
- C. 695.3
- D.  $\frac{1}{18}$

**Question 11**

Not yet answered

Points out of 1.00

**Find the area.**

Select one:

- A. 52.5 in.<sup>2</sup>
- B. 105 in.<sup>2</sup>
- C. 45.5 in.<sup>2</sup>
- D. 22 in.<sup>2</sup>

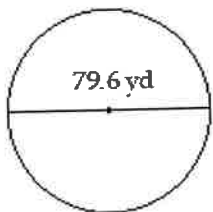
**Question 12**

Not yet answered

Points out of 1.00

**Find the radius or diameter as requested.**

Find the radius.



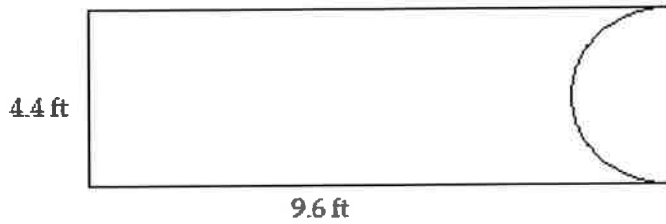
Select one:

- A. 124.972 yd
- B. 39.8 yd
- C. 4973.89 yd
- D. 19.9 yd

**Question 13**

Not yet answered

Points out of 1.00

**Find the area of the figure. Use 3.14 for  $\pi$ .**

Select one:

- A. 34.6412 ft<sup>2</sup>
- B. 17.3206 ft<sup>2</sup>
- C. 35.332 ft<sup>2</sup>
- D. Not enough data

**Question 14**

Not yet answered

Points out of 1.00

**Solve the problem.**

How much will it cost to carpet a 25 ft by 18 ft room if carpeting costs \$16.50 per square yard?

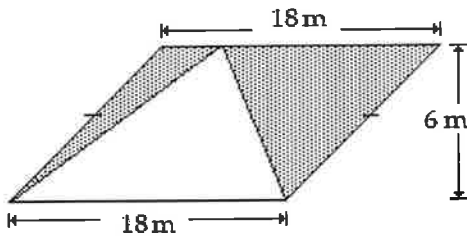
Select one:

- A. \$7425.00
- B. \$825.00
- C. \$2475.00
- D. \$618.75

**Question 15**

Not yet answered

Points out of 1.00

**Find the area of the shaded region.**

Select one:

- A.  $27 \text{ m}^2$
- B.  $108 \text{ m}^2$
- C.  $54 \text{ m}^2$
- D. Not enough information given

**Question 16**

Not yet answered

Points out of 1.00

**Translate to an equation and solve. When necessary, round to the nearest hundredth.**

What is 50% of 200?

Select one:

- A. 100
- B. 10
- C. 1000
- D. 1

**Question 17**

Not yet answered Points out of 1.00

**Find fraction notation for the percent notation in the problem.**

A bowl of oatmeal supplies 20% of the minimum daily requirement of an essential vitamin.

Select one:

- A.  $\frac{20}{100}$
- B.  $\frac{1}{20}$
- C.  $\frac{1}{5}$
- D.  $\frac{4}{5}$

**Question 18**

Not yet answered Points out of 1.00

**Find decimal notation for the number(s) in percent notation.**

A record store downtown is offering 3% off all purchases for the month of December.

Select one:

- A. 0.03%
- B. 0.03
- C. 0.3
- D. 3

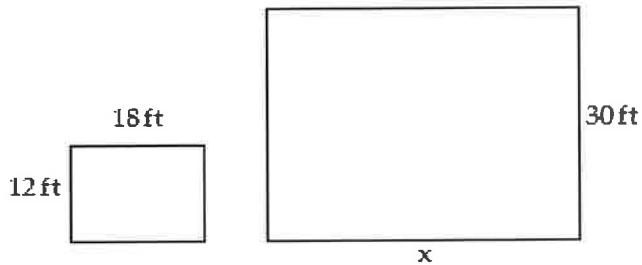
**Question 19**

Not yet answered

Points out of 1.00

**Use a proportion to solve the problem.**

In the rectangles below, the ratio of length to width is the same. Find the length of the larger rectangle.



Select one:

- A. 45 ft
- B. 48 ft
- C. 39 ft
- D. 42 ft

**Question 20**

Not yet answered

Points out of 1.00

**Use a proportion to solve the problem.**

Jim drove 144 miles in 4 hours. If he can keep the same pace, how long will it take him to drive 432 miles?

Select one:

- A. 12 hr
- B. 22 hr
- C. 576 hr
- D. 24 hr

**Question 21**

Not yet answered

Points out of 1.00

Find the rate as a ratio of distance to time. Round to the nearest hundredth where appropriate.

701.25 m, 3.75 hr

Select one:

- A.  $187 \frac{\text{hr}}{\text{m}}$
- B.  $190.75 \frac{\text{hr}}{\text{m}}$
- C.  $190.75 \frac{\text{m}}{\text{hr}}$
- D.  $187 \frac{\text{m}}{\text{hr}}$

**Question 22**

Not yet answered

Points out of 1.00

**Divide.**

$$0.039 \overline{)0.16224}$$

Select one:

- A. 0.416
- B. 41.6
- C. 416
- D. 4.16

**Question 23**

Not yet answered

Points out of 1.00

**Simplify.**

$$\frac{68}{76}$$

Select one:

- A.  $\frac{17}{4}$
- B.  $\frac{68}{76}$
- C.  $\frac{4}{19}$
- D.  $\frac{17}{19}$

**Question 24**

Not yet answered

Points out of 1.00

**Subtract. Write a mixed numeral for the answer.**

$$\begin{array}{r} 11 \\ - 4\frac{5}{7} \\ \hline \end{array}$$

Select one:

- A.  $7\frac{5}{7}$
- B.  $10\frac{2}{7}$
- C.  $7\frac{2}{7}$
- D.  $6\frac{2}{7}$

**Question 25**

Answer saved

Points out of 1.00

**Subtract.**

$$73,027 - 8442$$

Select one:

- A. 68,585
- B. 64,585
- C. 64,285
- D. 72,405

**Question 26**

Answer saved

Points out of 1.00

**Translate the sentence to an inequality.**

John weighs at least 124 pounds.

Select one:

- A.  $x \leq 124$
- B.  $x \geq 124$
- C.  $x > 124$
- D.  $x < 124$

**Question 27**

Answer saved

Points out of 1.00

**Solve the problem.**

A shop keeper is making a triangular sign for his store front, but he must keep the sign under  $20 \text{ ft}^2$  to adhere to zoning laws. If the base of the sign is 4 ft, what is the maximum height of the triangular sign?

Select one:

- A. 36 ft
- B. 2.500 ft
- C. 10.0 ft
- D. 5.00 ft

**Question 28**

Answer saved Points out of 1.00

**Solve.**

$$|3x + 4| = 8$$

Select one:

- A.  $\left\{-\frac{4}{3}, 4\right\}$
- B.  $\left\{\frac{4}{3}, -4\right\}$
- C.  $\{1, -3\}$
- D.  $\emptyset$

**Question 29**

Answer saved Points out of 1.00

**Solve.**

$$|5x| = 40$$

Select one:

- A.  $\{35\}$
- B.  $\{-8, 8\}$
- C.  $\{200\}$
- D.  $\{8\}$

**Question 30**

Answer saved

Points out of 1.00

**Solve using the addition principle. Graph and write set-builder notation for the answer.**

$$f + 5 < 9$$



Select one:

A.  $\{f \mid f \leq 4\}$



B.  $\{f \mid f < 4\}$



C.  $\{f \mid f > 4\}$



D.  $\{f \mid f \geq 4\}$

