

Figure 5.153 Manifold plate

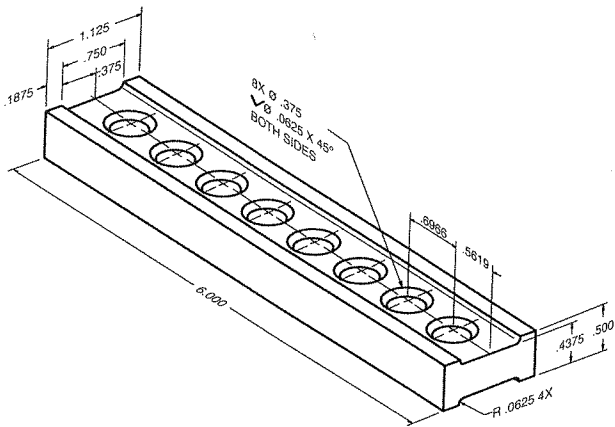


Figure 5.157 Burner cap

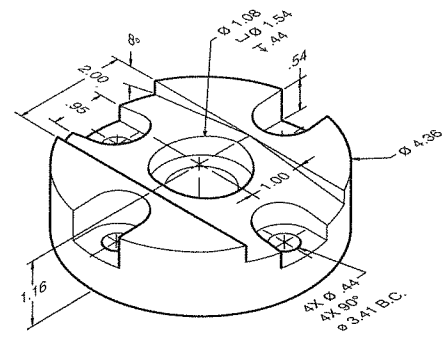


Figure 5.146 Retaining cap

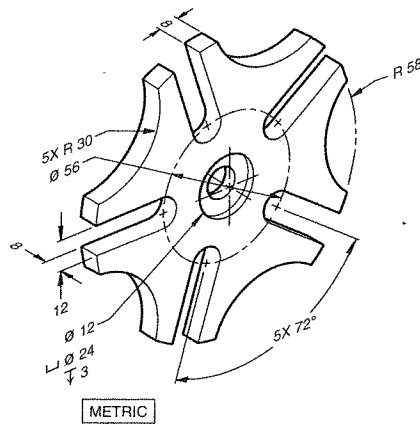


Figure 5.134 Gear index