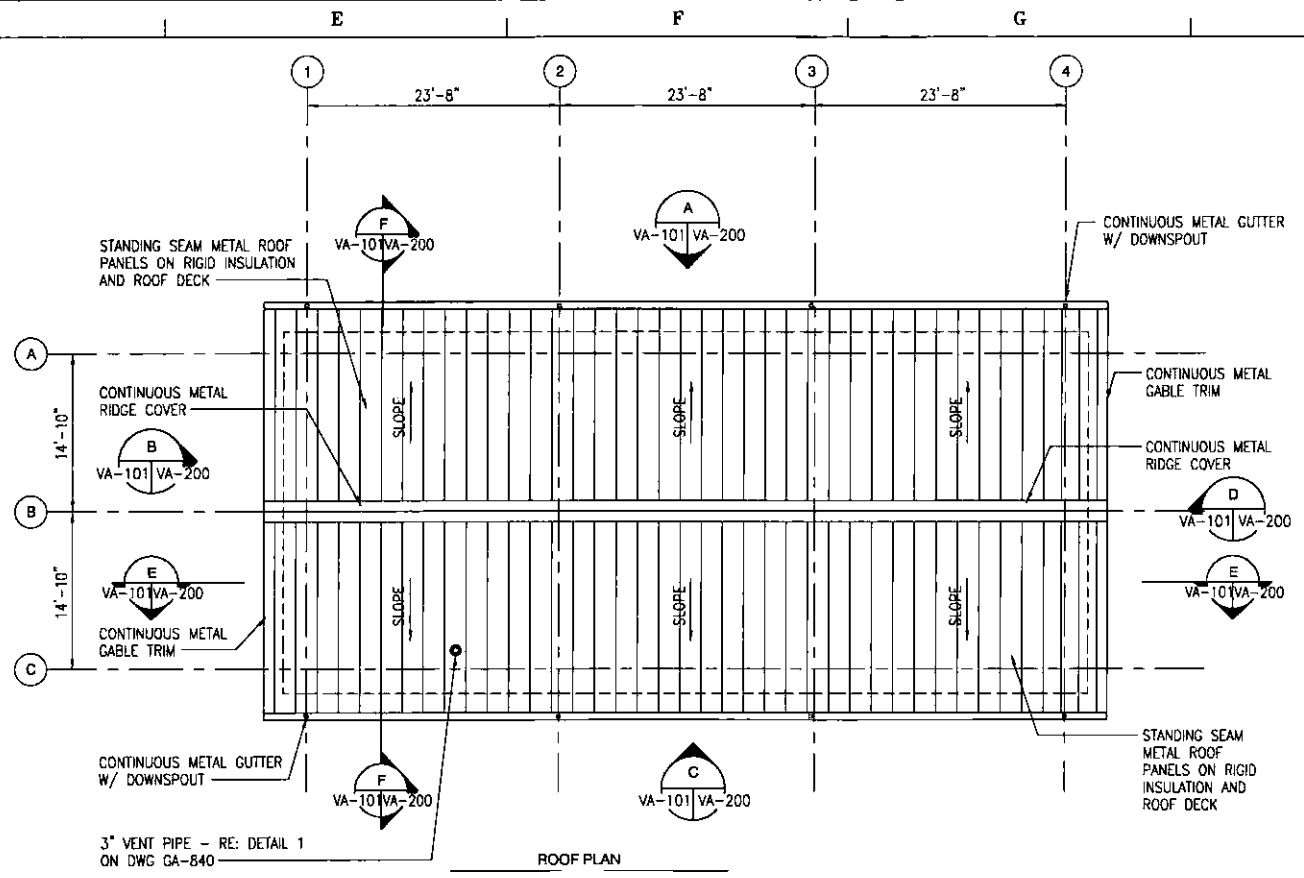


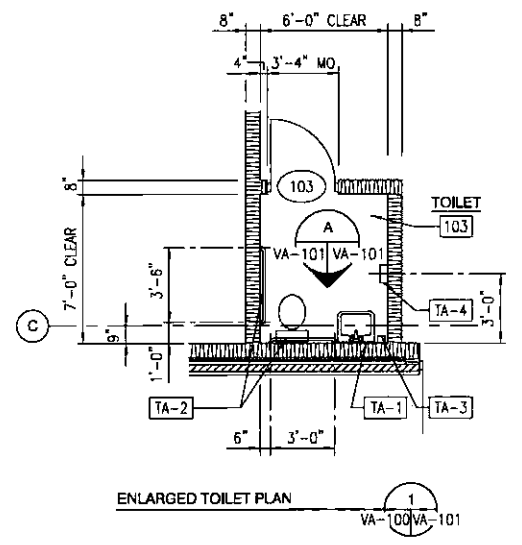
REFLECTED CEILING PLAN

CEILING LEGEND	
	HVAC AIR SUPPLY GRILLE
	HVAC AIR EXHAUST GRILLE
	EXIT LIGHT
	1' x 4', FLUORESCENT - RECESSED, SURFACE MOUNTED OR SUSPENDED
	2' x 4', FLUORESCENT - RECESSED, SURFACE MOUNTED OR SUSPENDED
	EXTERIOR LIGHT FIXTURES - WALL MOUNTED
	METAL SOFFIT PANEL
	UNIT HEATER

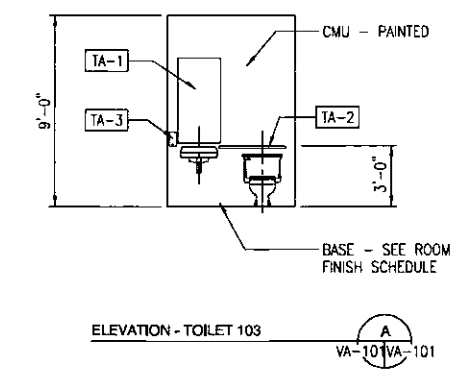
GENERAL NOTES:
 1. ALL DOWNSPOUTS SHALL BE 4" x 3" RECTANGULAR UNLESS OTHERWISE NOTED.



ROOF PLAN



ENLARGED TOILET PLAN



ELEVATION - TOILET 103

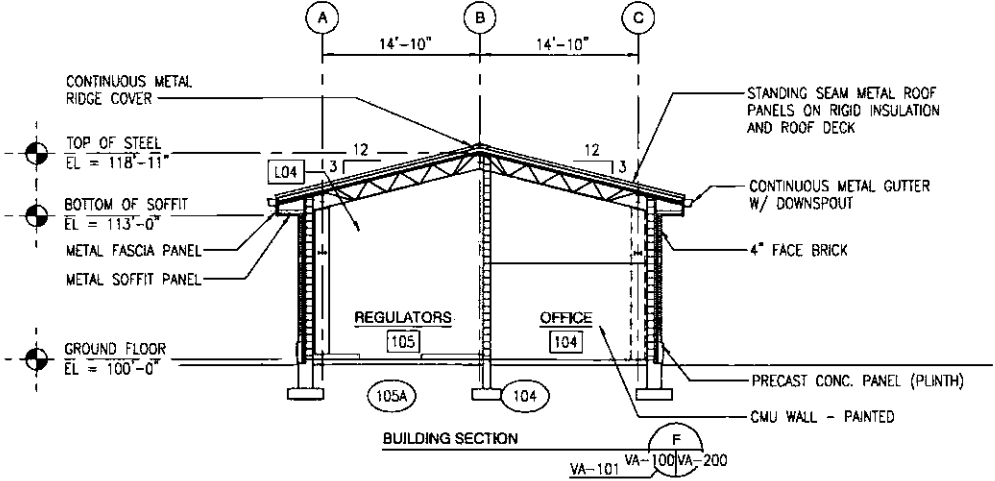
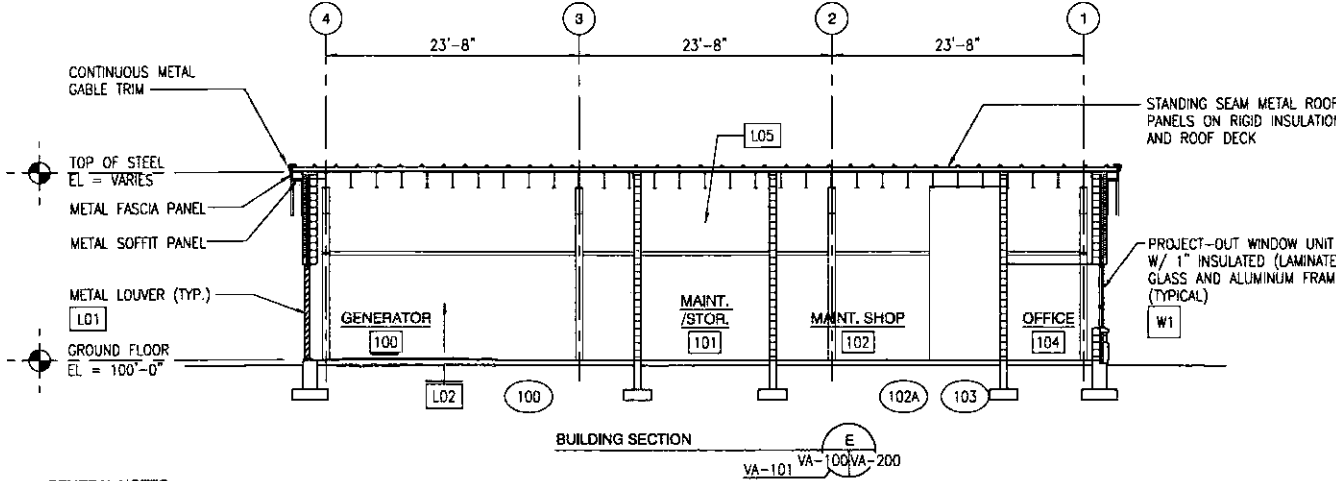
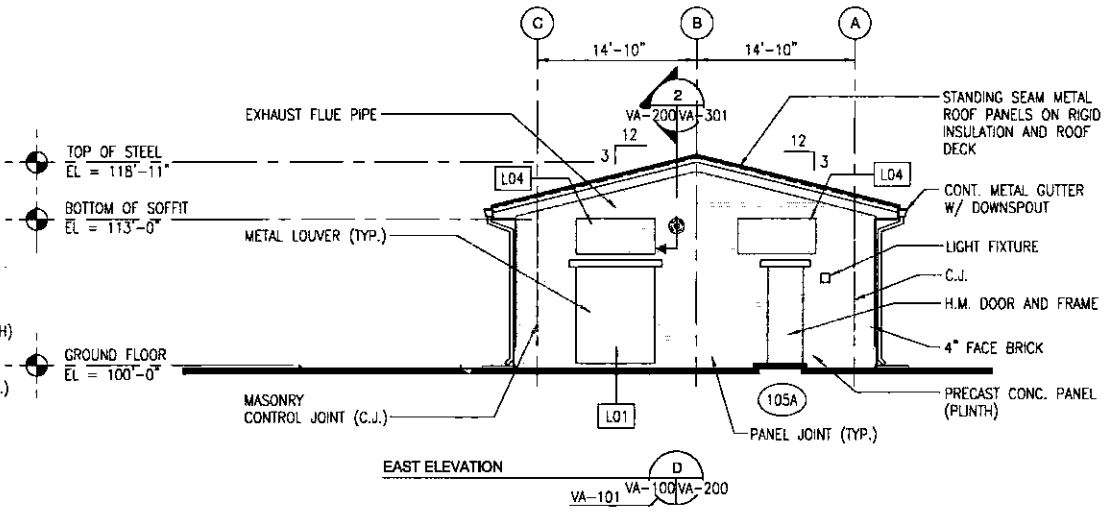
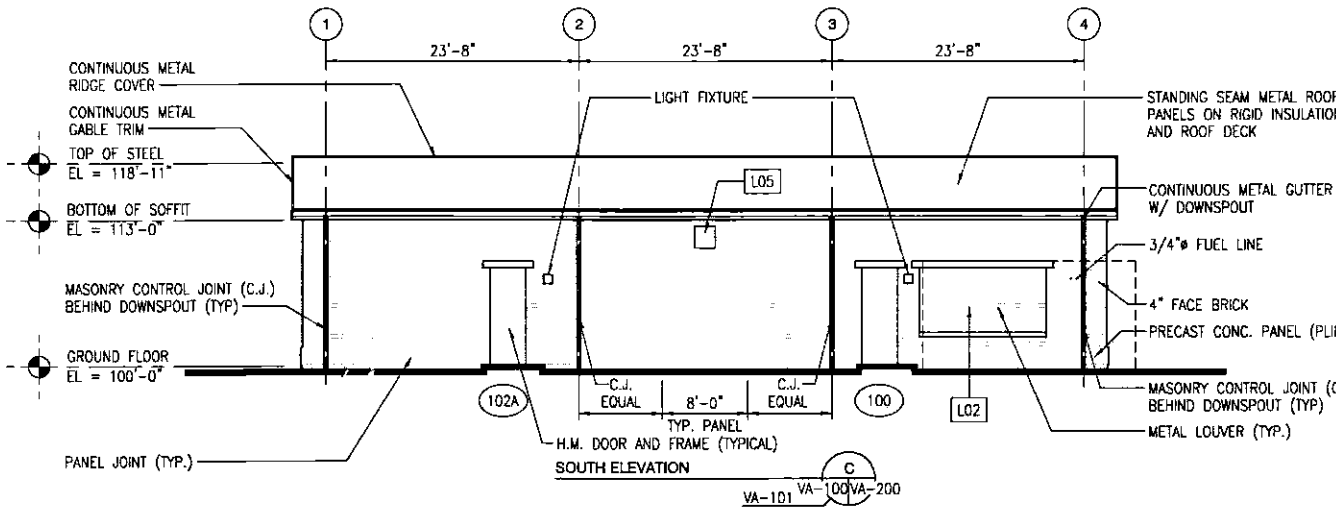
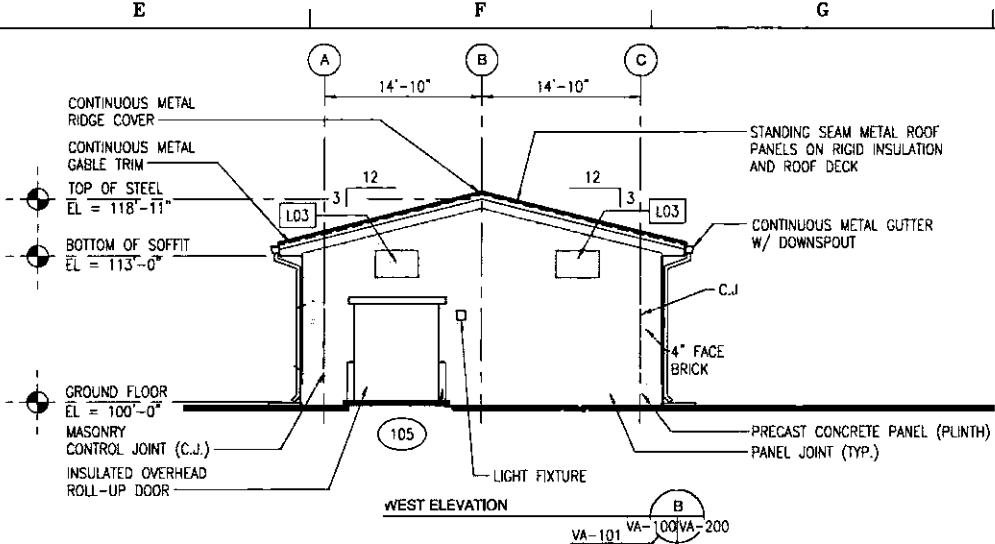
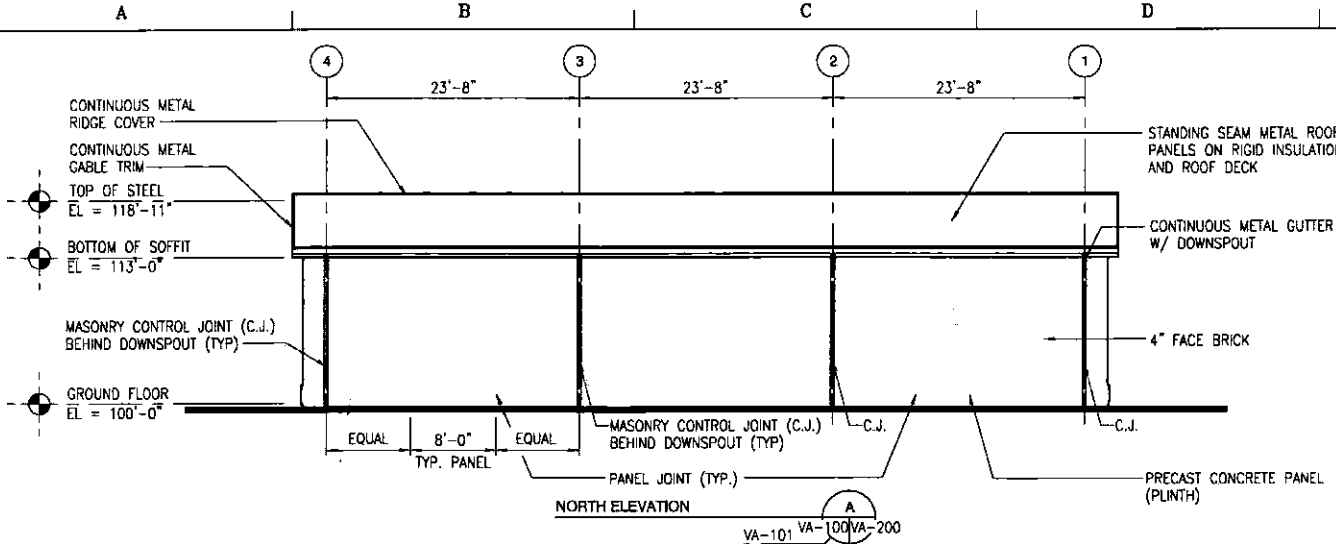
TOILET ACCESSORIES LEGEND			
TA. NO.	ACCESSORY	BOBRICK NO.	MOUNTING HEIGHT
TA-1	MIRROR 24" x 48"	B-290	3'-0" TO BOTTOM OF ITEM
TA-2	PAIR OF GRAB BARS 36" LONG AND 42" LONG	B-5507.99	SEE ELEVATION A ON THIS DRAWING
TA-3	SOAP DISPENSER	B-155	ABOVE AND ON LEFT SIDE OF LAV.
TA-4	PAPER TOWEL DISPENSER	B-2621	4'-10" TO TOP OF ITEM



DATE: OCT 2001	REVISION: RMB	BY: JHC	PROJECT: HACC023011	FILE NO: 12-22-1114
DESIGNED: RMB	DRAWN: JHC	CHECKED: JHC	DATE: 10/11/01	SCALE: AS SHOWN
NORFOLK DISTRICT CORPS OF ENGINEERS NORFOLK, VIRGINIA BURNS & McDONNELL 9400 WARD PARKWAY KANSAS CITY, MISSOURI 64114				

F-22 OPERATIONS AND MAINTENANCE FACILITIES
 LANGLEY AIR FORCE BASE, VIRGINIA
 AIR FIELD LIGHTING VAULT
 ROOF PLAN AND REFLECTED CEILING PLAN

VA-101
 SHEET 114 OF 769



GENERAL NOTES:

2. ARCHITECTURAL FLOOR ELEVATION 100'-0" = ACTUAL FLOOR ELEVATION 8.50
 3. L01 LOUVER TYPES: REFERENCE DRAWING VA-400 FOR LOUVER TYPES
 4. 151D DOOR TYPES: REFERENCE DRAWINGS VA-400 FOR DOOR TYPES AND DETAILS.
 5. W1 WINDOW TYPES: REFERENCE DRAWINGS VA-400, FOR WINDOW TYPES AND DETAILS.
- B. EXTERIOR COLOR SCHEDULE AND GENERAL NOTES: ALL FINAL COLORS SHALL MATCH SIMILAR BUILDINGS ON BASE AND SHALL BE APPROVED BY THE CONTRACTING OFFICER.**
- a. PRECAST CONCRETE — P & D PRECAST CO., INC. COLOR: BUFF/BEST MORTAR W/67
 - b. SEALANT — BRICK MASONRY: MATCH REDWOOD TAN BY PECORA. OTHERS SHALL LOCATIONS MATCH ADJACENT MATERIAL COLOR.
 - c. CAST STONE SILLS, LINTELS, & MEDALLIONS — MATCH PRECAST LAWRENCEVILLE BRICK SHADE: MIDLOTHIAN, STOCK: NUMBER 1-111A MODULAR STANDARD
 - d. BRICK MASONRY — BATCHELDER AND COLLINS / LEHIGH 00024
 - e. BRICK MORTAR — BATCHELDER AND COLLINS / LEHIGH 00024

- f. STANDING SEAM METAL ROOF — CENTRIA: DARK BRONZE, NO. 154
- g. EAVE TRIM — CENTRIA: DARK BRONZE, NO. 154
- h. ROOF SOFFIT — LAFB SPECIAL BEIGE, MATCH PITTSBURGH PAINTS NO. 6-650
- i. GUTTERS, DOWNSPOUTS, AND LOUVERS — CENTRIA: DARK BRONZE, NO. 154
- j. GLASS AND GLAZING — PPG SUNGATE 500, BRONZE
- k. WINDOW FRAMES — MATCH CENTRIA, DARK BRONZE, NO. 154
- l. HOLLOW METAL DOOR AND FRAMES — MATCH CENTRIA, DARK BRONZE, NO. 154
- m. PAINT ALL EXPOSED SURFACES WHETHER OR NOT COLORS ARE DESIGNATED IN SCHEDULES, EXCEPT WHERE A SURFACE OR MATERIAL IS SPECIFICALLY INDICATED NOT TO BE PAINTED OR IS TO REMAIN NATURAL. WHERE AN ITEM OR SURFACE IS NOT SPECIFICALLY MENTIONED, PAINT THE SAME AS SIMILAR ADJACENT MATERIALS OR SURFACES. SEE SPECIFICATION FOR FURTHER REQUIREMENTS.

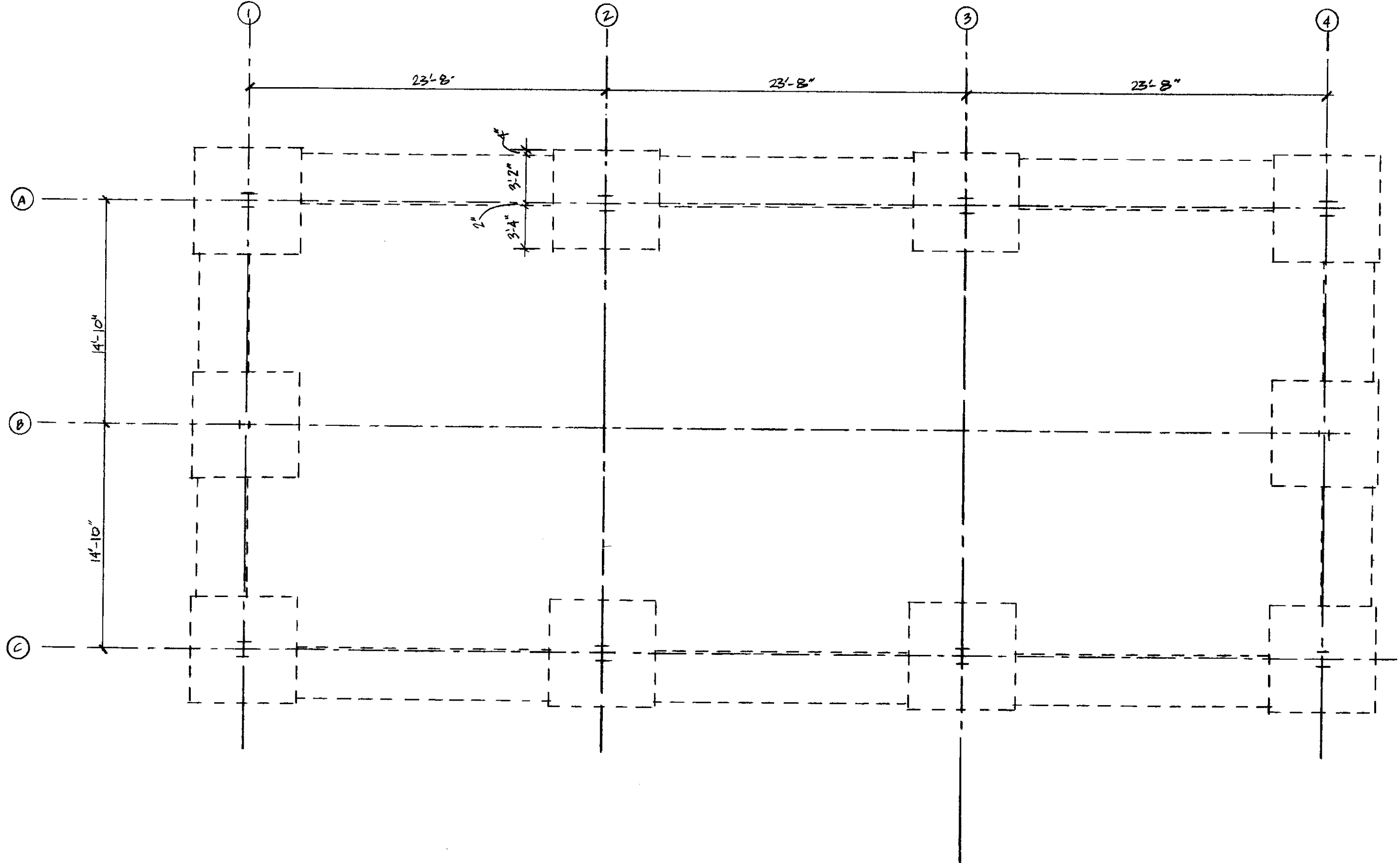


NO. 1	DATE	BY	DESCRIPTION
NO. 2			
NO. 3			
NO. 4			
NO. 5			
NO. 6			

NO. 1	DATE	BY	DESCRIPTION
NO. 2			
NO. 3			
NO. 4			
NO. 5			
NO. 6			

F-22 OPERATIONS AND MAINTENANCE FACILITIES LANGLEY AIR FORCE BASE, VIRGINIA
AIR FIELD LIGHTING VAULT EXTERIOR ELEVATIONS

VA-200
 SHEET 115 OF 769



H



NO.	DATE	BY	CHKD.

DATE: OCT 2001
 AS SHOWN
 NORFOLK DISTRICT FILE NO.
 U-422-1121
 PROJECT: HACC02J011
 SHEET NO. 7/1-18-13
 NORFOLK DISTRICT FILE NO. DACAS-01-R-0025
 PER SHEET 1
 NORFOLK DISTRICT
 CORPS OF ENGINEERS
 NORFOLK, VIRGINIA
 BURNS & MCDONNELL
 8400 WARD PARKWAY
 KANSAS CITY, MISSOURI 64114

F-22 OPERATIONS AND MAINTENANCE
 FACILITIES
 LANGLEY AIR FORCE BASE, VIRGINIA
 AIR FIELD LIGHTING VAULT
 FOUNDATION PLAN

VS-100
 SHEET 121 OF 769

