

1.000

5.691

60°

0.625

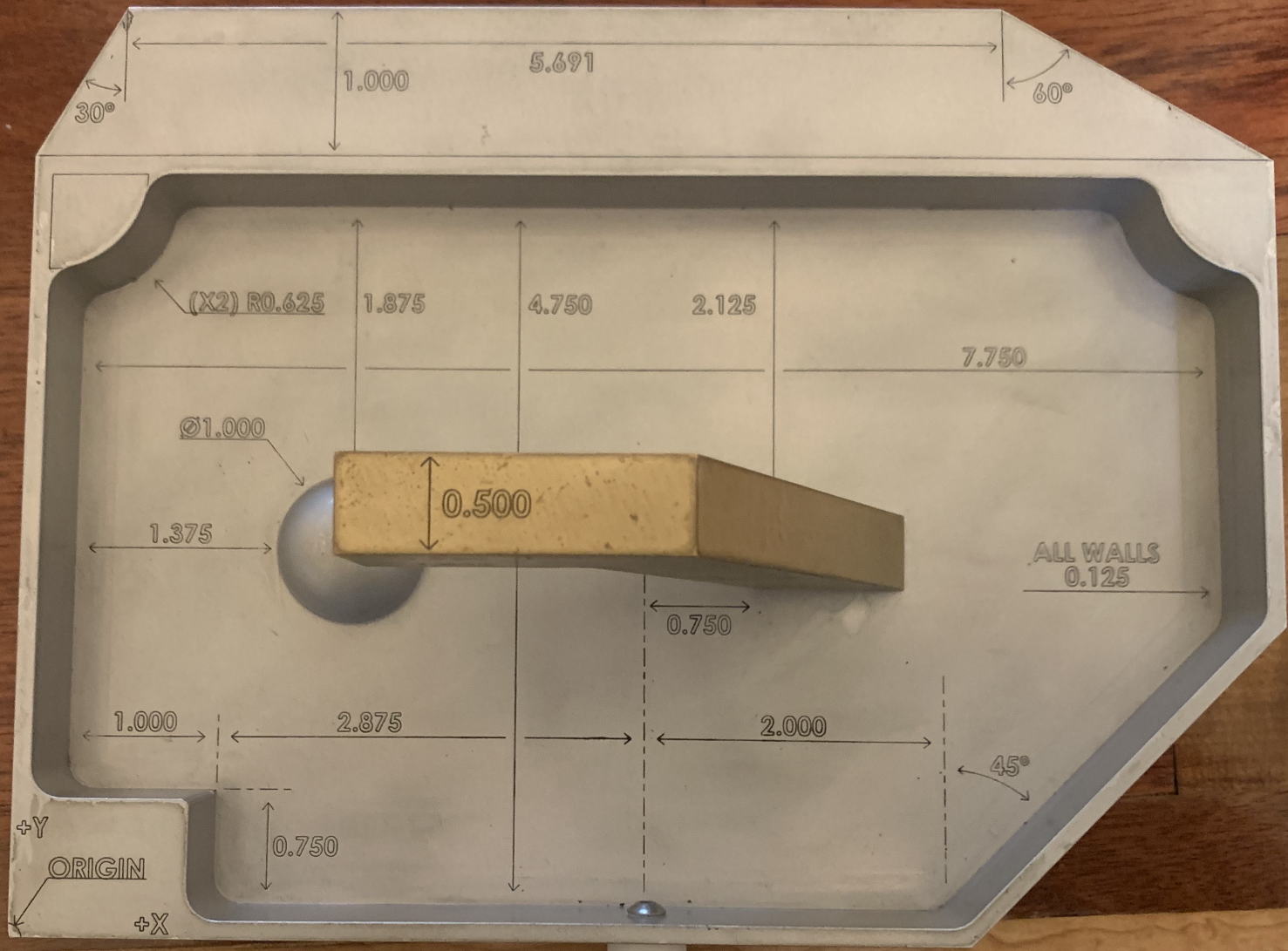
1.875

4.750

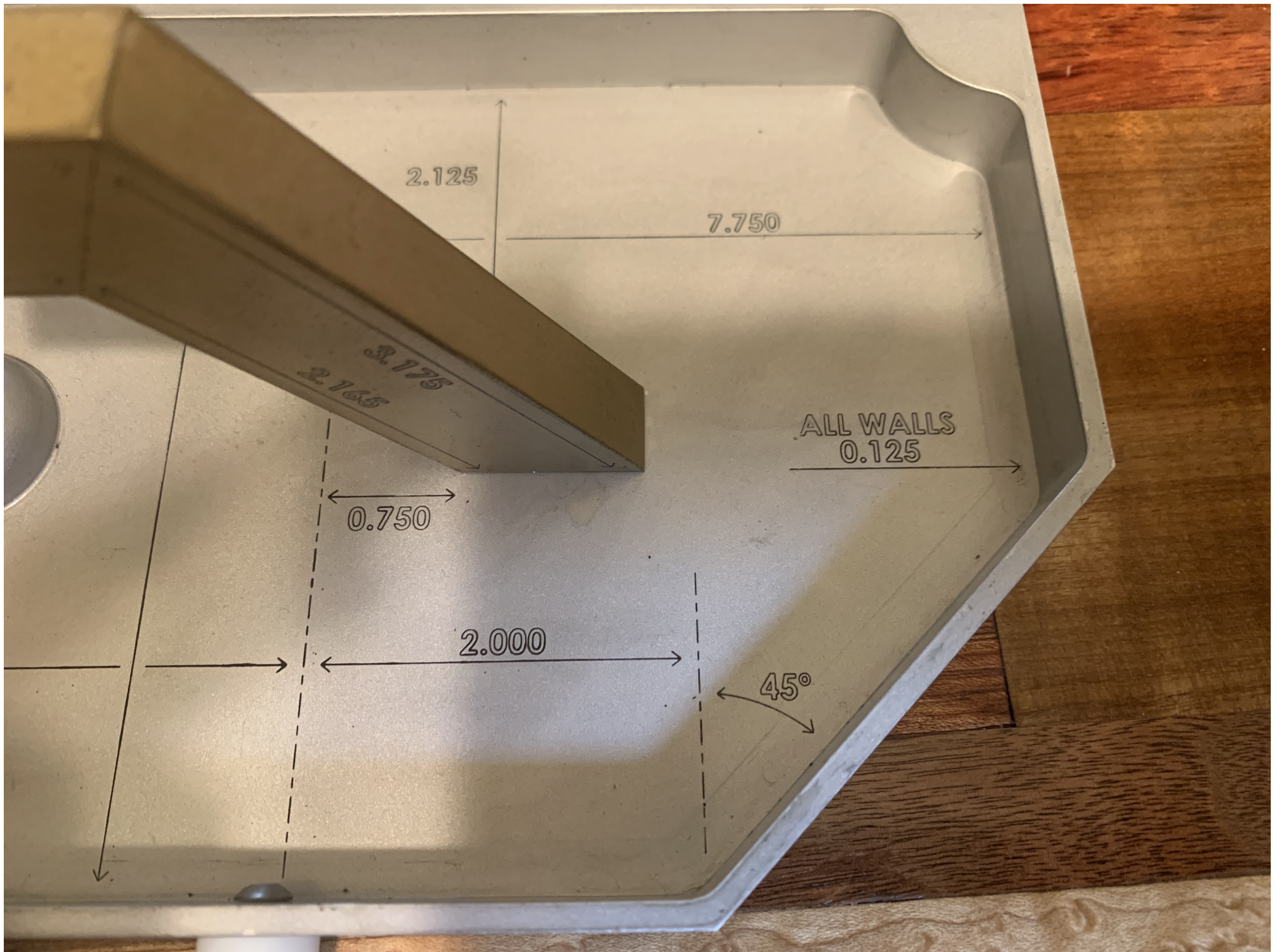
2.125

7.750

ALL WALLS
0.125



NOTE: IGNORE ALL FILETS IN CALCULATIONS
ALL DIMENSIONS ARE INCHES
IGNORE ALL FASTENERS
ASSUME ALL WALL THICKNESSES AND
UNMARKED DIMENSIONS ARE 0.125 INCHES



2.125

7.750

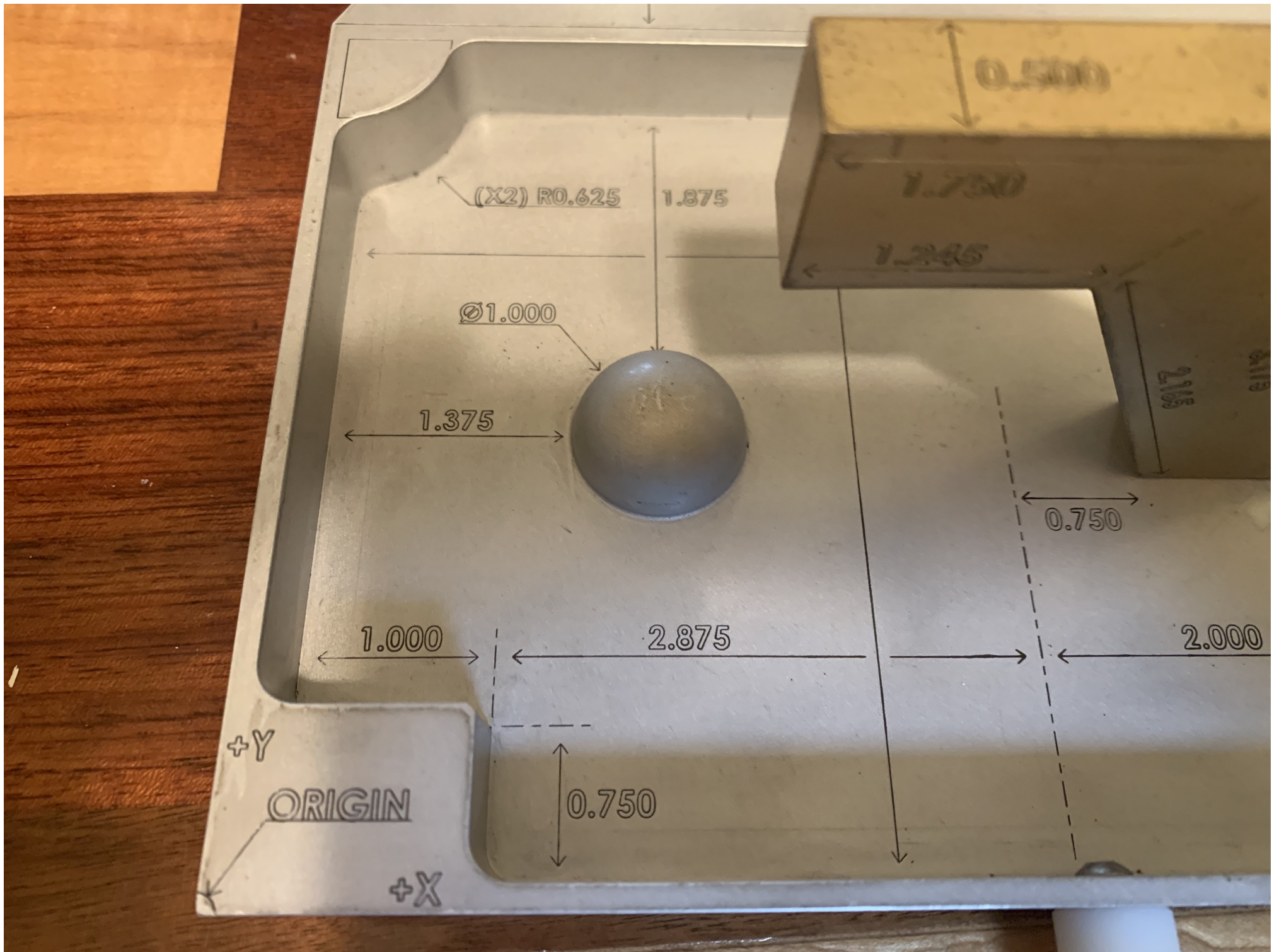
3.175
2.165

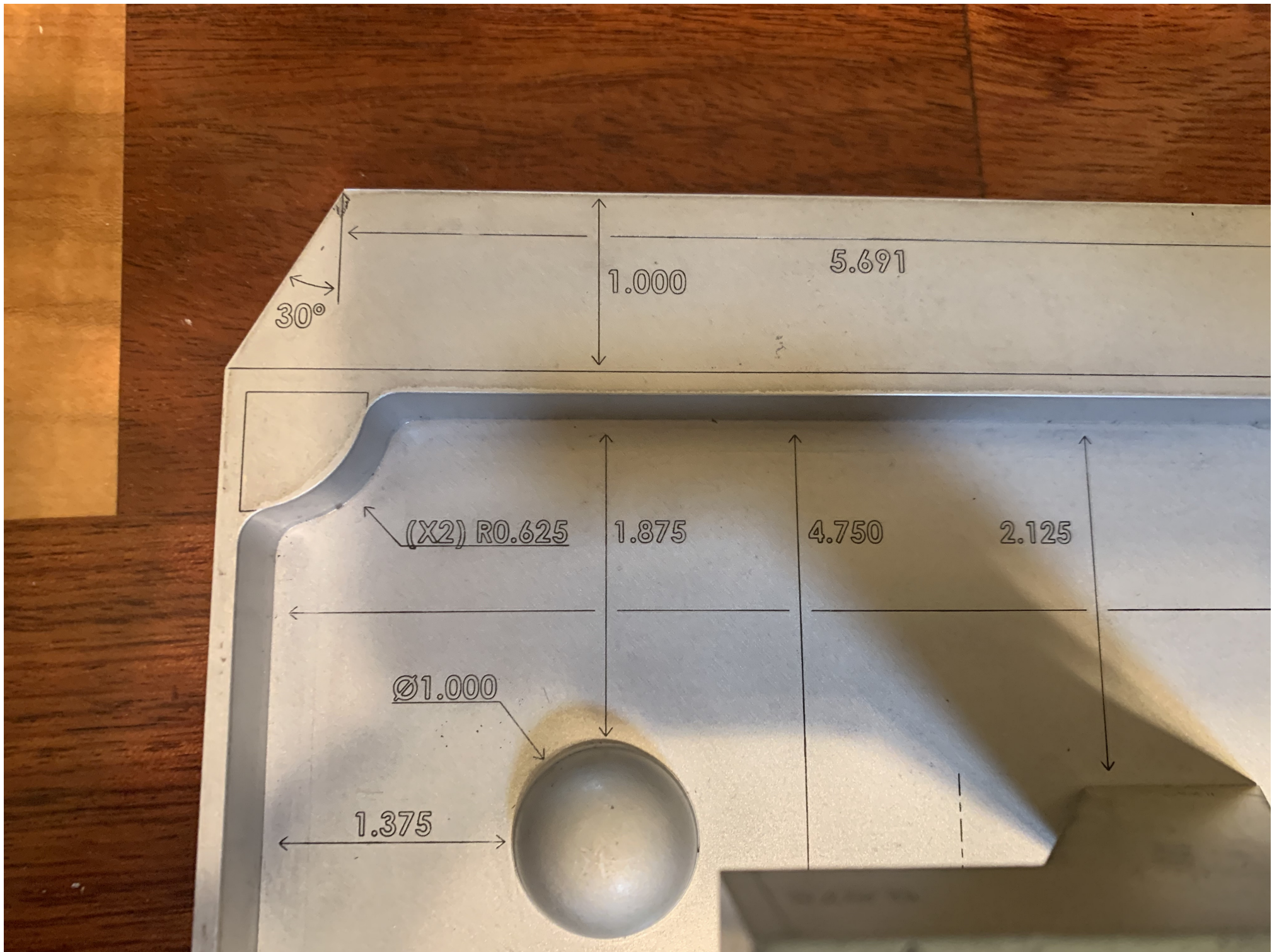
ALL WALLS
0.125

0.750

2.000

45°









1.750

0.500

1.245

2.175

2.175

0.750

ALL W/A
0.125



0.09

0.875

0.875

0.75



1.750

1.245

2.165

3.175

0.750