

- FLOOR PLAN KEY NOTES**
- ① OUTDOOR SHOWER AND EYEWASH
 - ② CMU SCREEN WALL - SEE ELEVATIONS FOR HEIGHT
 - ③ ELECTRICAL PANELS FLUSH MOUNTED IN 6" STUD WALL
 - ④ GROUND MOUNTED HEAT PUMP UNITS - REFER TO MECHANICAL DRAWINGS
 - ⑤ OUTDOOR PALLET RACK STORAGE
 - ⑥ CONCRETE PAD / WALK
 - ⑦ GROUND MOUNTED CONDENSING UNIT - REFER TO MECHANICAL DRAWINGS
 - ⑧ WALL MOUNTED EXHAUST FAN - REFER TO MECHANICAL DRAWINGS
 - ⑨ ELECTRICAL SERVICE - REFER TO ELECTRICAL DRAWINGS
 - ⑩ LINE OF ROOF OVERHANG
 - ⑪ SYSTEMS FURNITURE (N.I.C.)
 - ⑫ DOMESTIC WATER RISER - REFER TO PLUMBING DRAWINGS
 - ⑬ LOCKERS - REFER TO SPECIFICATIONS
 - ⑭ FLOOR MOP SINK WITH 20 GAL. WATER HEATER MOUNTED ABOVE - REFER TO PLUMBING DRAWINGS
 - ⑮ ELECTRIC DRINKING FOUNTAIN
 - ⑯ IRRIGATION CONTROLLER
 - ⑰ TELEPHONE MOUNTING BOARD
 - ⑱ 5' LONG EXHAUST HOOD
 - ⑲ FIRE SPRINKLER RISER
 - ⑳ BULLETIN BOARD (SUPPLIED BY OWNER, INSTALLED BY CONTRACTOR)
 - ㉑ DISHWASHER (SUPPLIED BY OWNER, INSTALLED BY CONTRACTOR)
 - ㉒ COUNTER MOUNTED EYEWASH
 - ㉓ 1" SLEEVE THRU WALL FOR FUEL DRAIN @ 30" A.F.F.
 - ㉔ SECURITY FENCE - 2"φ SCHEDULE 40 PIPE IN CONCRETE FOOTING, REFER TO DETAIL 9/A-10. CENTER PIPE 1'-0" BACK FROM FACE OF MASONRY WALL

1 FLOOR PLAN
SCALE: 3/16" = 1'-0"

TYPE	DETAIL	DESCRIPTION
		EXTERIOR 8" CMU WALL
	2/A-II	INTERIOR PARTITION- 5/8" TYPE 'X' GYP. BD. BOTH SIDES 3-5/8" METAL STUD FRAMING, EXTEND TO ROOF STRUCTURE. PROVIDE R-II BATT INSULATION.
	3/A-II	INTERIOR PARTITION- 5/8" TYPE 'X' GYP. BD. BOTH SIDES 3-5/8" METAL STUD FRAMING, EXTEND WALL TO 9'-6" A.F.F.. PROVIDE R-II BATT INSULATION.
	4/A-II	INTERIOR PARTITION- FURR OUT CMU WALL W 5/8" TYPE 'X' GYP. BD. OVER 3-5/8" METAL STUD FRAMING. PROVIDE SPRAY-ON INSULATION. FRAMING AND INSULATION TO EXTEND TO BOTTOM OF ROOF TRUSSES. PROVIDE TYPE W.R. GYP. BD. AT RESTROOM SIDE OF INTERIOR PARTITIONS

SYMBOL	REVISIONS	DATE	DATE	DATE	DATE
	DESCRIPTION				
	DATE PREP. BY				
	APPROVED DATE				
	SUBMITTAL TO:				
	DESIGN:				
	DRAWN:				
	CHECKED:				
	PP:				
	SAVINGORY TO:				
	FAC MANG. OFFICER:				
	DIRECTOR OF ENG.:				
	SW DN FOR COMMANDER NAVFAC DATE				

DEPARTMENT OF THE NAVY
SAN DIEGO

NAVAL FACILITIES ENGINEERING COMMAND
CALIFORNIA

SOUTHWEST DIVISION NAVAL FACILITIES
YUMA

YU-0013R2 FUEL FARM BUILDING
MARINE CORPS AIR STATION
YUMA

FLOOR PLAN

SIZE D
IF SHEET IS LESS THAN 22" X 34" IT IS A REDUCED PRINT - SCALE REDUCED ACCORDINGLY

P.W.O. NO.

PROJECT LOCATION

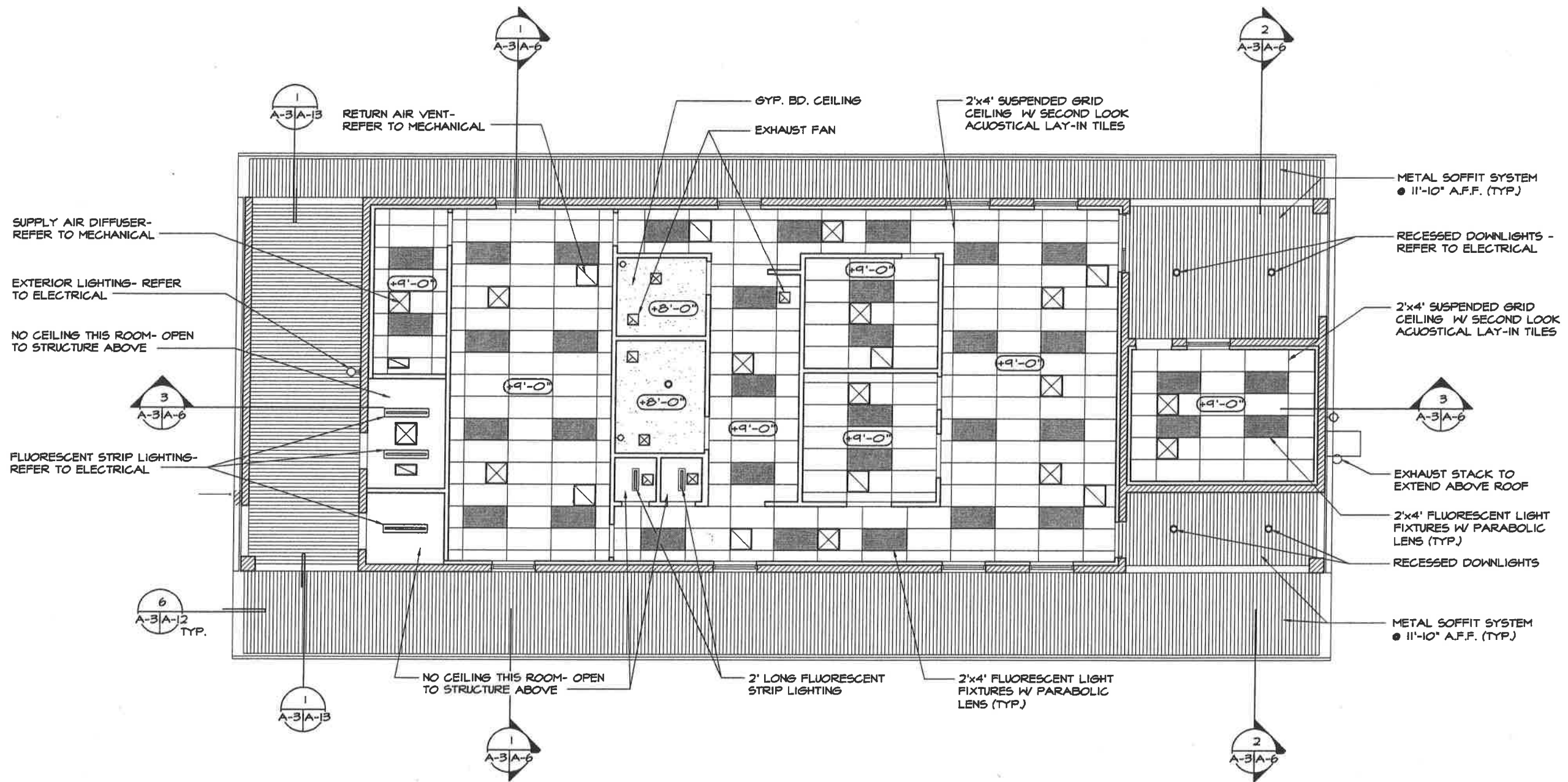
CONSTR. CONTRACT NO.

SPEC.

NAVFAC DRAWING NO.

SHEET 14 OF

100% SUBMITTAL A-2



1 REFLECTED CEILING PLAN
SCALE: 3/16" = 1'-0"

REVISIONS		DATE		DATE		DATE	
SYMBOL	DESCRIPTION	APPROVED	DATE	PREP. BY	DATE	DATE	DATE

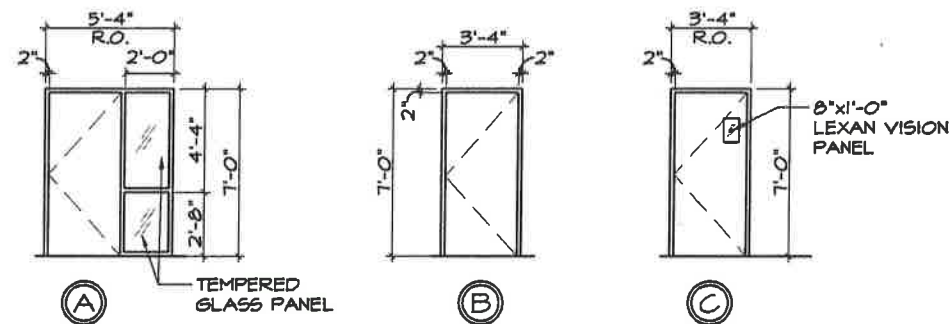
SUBMITTED:	DESIGN:	DATE	DATE
DRAWN:	CHECKED:	DATE	DATE
FP:			

DEPARTMENT OF THE NAVY	NAVAL FACILITIES ENGINEERING COMMAND	CALIFORNIA
SAN DIEGO	SOUTHWEST DIVISION NAVAL FACILITIES	
	YU-0013R2 FUEL FARM BUILDING	
	MARINE CORPS AIR STATION	
	YUMA	

SATISFACTORY TO:	DATE	DATE	DATE
FAC. MANG. OFFICER:			
DIRECTOR OF ENG.:			
SW BY FOR COMMANDER NAVFAC			

--	--	--

DOOR SCHEDULE								
NO.	SIZE	TYPE	DOOR		FRAME		HDWR.	REMARKS
			MATERIAL	FINISH	MATERIAL	FINISH		
0001	3'-0"W x 7'-0"H	B	H.M.	PTD.	H.M.	PTD.	02	
0002	3'-0"W x 7'-0"H	B	H.M.	PTD.	H.M.	PTD.	02	
0003	3'-0"W x 7'-0"H	B	H.M.	PTD.	H.M.	PTD.	02	
1021	3'-0"W x 7'-0"H	C	H.M.	PTD.	H.M.	PTD.	01	W/ VISION PANEL
1022	3'-0"W x 7'-0"H	A	H.M.	PTD.	H.M.	PTD.	02	W/ 2'-0" SIDELITE
1031	2'-6"W x 7'-0"H	B	SCW	PTD.	KD MTL	BLK	03	
1032	2'-6"W x 7'-0"H	B	SCW	PTD.	KD MTL	BLK	03	
1051	3'-0"W x 7'-0"H	B	SCW	PTD.	KD MTL	BLK	03	
1071	3'-0"W x 7'-0"H	B	SCW	PTD.	KD MTL	BLK	05	
1072	3'-0"W x 7'-0"H	B	SCW	PTD.	KD MTL	BLK	04	
1121	3'-0"W x 7'-0"H	B	SCW	PTD.	KD MTL	BLK	03	
1122	3'-0"W x 7'-0"H	B	SCW	PTD.	KD MTL	BLK	03	
1151	3'-0"W x 7'-0"H	B	SCW	PTD.	KD MTL	BLK	03	



GENERAL DOOR NOTES:
 1. REFER TO SPECIFICATION BOOK FOR HARDWARE GROUPS.
 2. FOR TYPICAL INTERIOR DOOR JAMB SEE DETAIL 3/A-13.

ABBREVIATIONS:			
ALUM.	ALUMINUM	MILL	MILL OR FACTORY FINISH
GL.	GLASS	FR.	PAIR
H.M.	HOLLOW METAL	SCW	SOLID CORE WOOD
KD MTL	'KNOCK-DOWN' METAL	WHT	WHITE FINISH

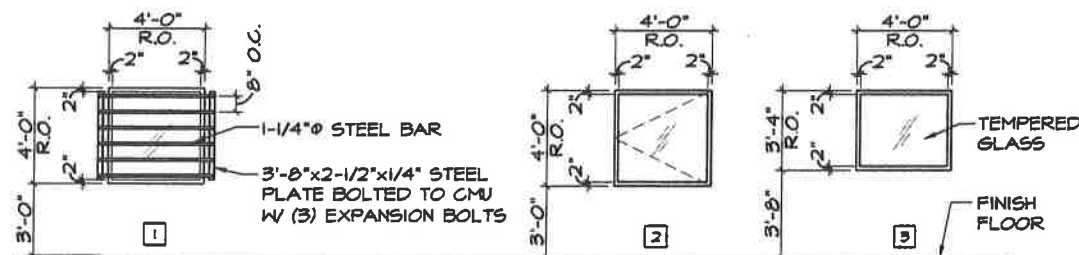
ROOM FINISH SCHEDULE												
RM. NO.	ROOM NAME	WALLS				BASE				CEILING	FLOOR	REMARKS
		NORTH	SOUTH	EAST	WEST	NORTH	SOUTH	EAST	WEST			
101	LAB	PI	PI	PI	PI	BI	BI	BI	BI	GRID	VI	
102	LOUNGE	PI	PI	PI	PI	BI	BI	BI	BI	GRID	VCT	
103	HALLWAY	PI	PI	PI	PI	BI	BI	BI	BI	GRID	VCT	
104	DISPATCH	PI	PI	PI	PI	BI	BI	BI	BI	GRID	VCT	
105	OFFICE	PI	PI	PI	PI	BI	BI	BI	BI	GRID	CARPET	
106	HALLWAY	PI	PI	PI	PI	BI	BI	BI	BI	GRID	VCT	
107	KITCHEN	PI	PI	PI	PI	BI	BI	BI	BI	GRID	VCT	
108	TELEPHONE	PI	PI	PI	PI	BI	BI	BI	BI	OPEN	VCT	
109	JANITOR	PI	PI	PI	PI	BI	BI	BI	BI	OPEN	VCT	
110	MEN	FRP	FRP	FRP	FRP	B2	B2	B2	B2	GYP. BD.	V2	
111	WOMEN	FRP	FRP	FRP	FRP	B2	B2	B2	B2	GYP. BD.	V2	
112	OFFICE	PI	PI	PI	PI	BI	BI	BI	BI	GYP. BD.	CARPET	
113	RISER ROOM	PI	PI	PI	PI	-	-	-	-	OPEN	CONC	
114	COMMUNICATIONS	PI	PI	PI	PI	-	-	-	-	OPEN	CONC	
115	STORAGE	PI	PI	PI	PI	-	-	-	-	OPEN	CONC	

FINISH LEGEND

BI	4" VINYL BASE; MFR: ROPPE, COLOR: BLACK
B2	5" INTEGRAL COVE BASE
CARPET	CARPET (T.B.D.)
CONC	SEALED CONCRETE FLOORING
FRP	FRP WAINSCOT TO 4'-0" A.F.F.- COLOR: WHITE
GYP. BD.	PAINTED GYPSUM BOARD
OPEN	OPEN TO STRUCTURE ABOVE
P1	SEMI-GLOSS LATEX PAINT;
P2	SEMI-GLOSS ENAMEL PAINT;
PL1	PLASTIC LAMINATE; COUNTERTOPS
PL2	PLASTIC LAMINATE; CABINETS
VI	EPOXY COATED VINYL FLOORING (SEE SPECS)
V2	SHEET VINYL FLOOR
VCT	12"x12" VCT FLOORING;

NOTE: REFER TO DETAIL 7/A-13 FOR VCT TO CARPET TRANSITION.

WINDOW SCHEDULE					
NO.	SIZE	GLASS	FRAME		REMARKS
			MATERIAL	FINISH	
1	4'-0"W x 4'-0"H	1" INSULATED, NO TINT	H.M.	PTD.	FIXED, WIRE/STL BARS
2	4'-0"W x 4'-0"H	1" INSULATED, NO TINT	H.M.	PTD.	OPERABLE
3	4'-0"W x 3'-4"H	1" INSULATED, NO TINT	H.M.	PTD.	FIXED- TEMPERED GLASS



DEPARTMENT OF THE NAVY
 SAN DIEGO
 NAVAL FACILITIES ENGINEERING COMMAND
 SOUTHWEST DIVISION NAVAL FACILITIES CALIFORNIA
 YU-0013R2 FUEL FARM BUILDING
 MARINE CORPS AIR STATION
 YUMA
 SCHEDULES

REVISIONS
 DESCRIPTION
 PREP. BY
 DATE
 APPROVED

SUBMITTED TO:
 DATE
 FAC. MANG. OFFICER:
 DATE
 DIRECTOR OF ENG.:
 DATE
 SW BN FOR COMMANDER NAVFAC
 DATE

DESIGN:
 DRAWN:
 CHECKED:
 PP:

SIZE D
 IF SHEET IS LESS THAN 22" x 34" IT IS A REDUCED PRINT- SCALE REDUCED ACCORDINGLY

PWO. NO.
 PROJECT LOCATION
 CONSTR. CONTRACT NO.
 SPEC.
 NAVFAC DRAWING NO.
 SHEET 26 OF



100% SUBMITTAL A-14