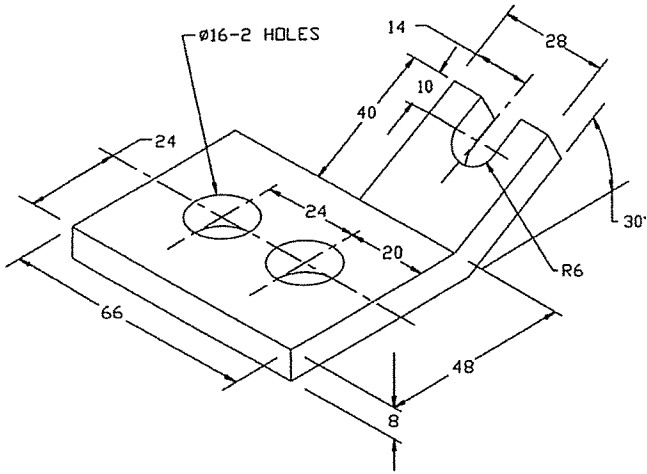
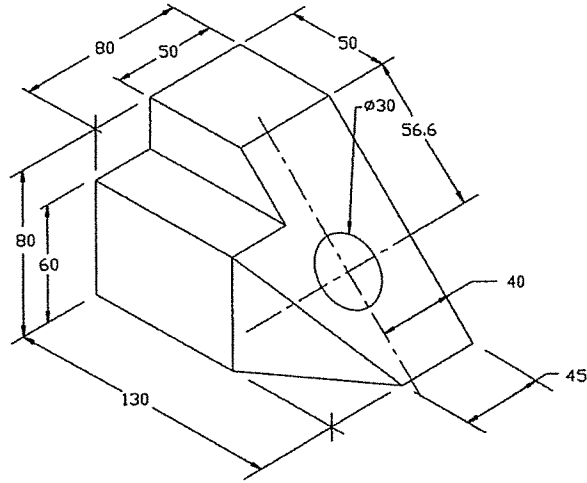


Draw two orthographic views and an auxiliary view for each of the objects in Exercise Problems EX7-3 through EX7-6.

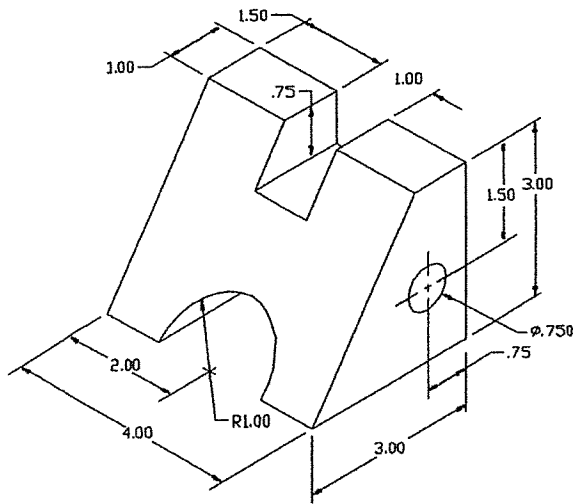
EX7-3 Millimeters



EX7-4 Millimeters



EX7-5 Inches



EX7-6 Millimeters

